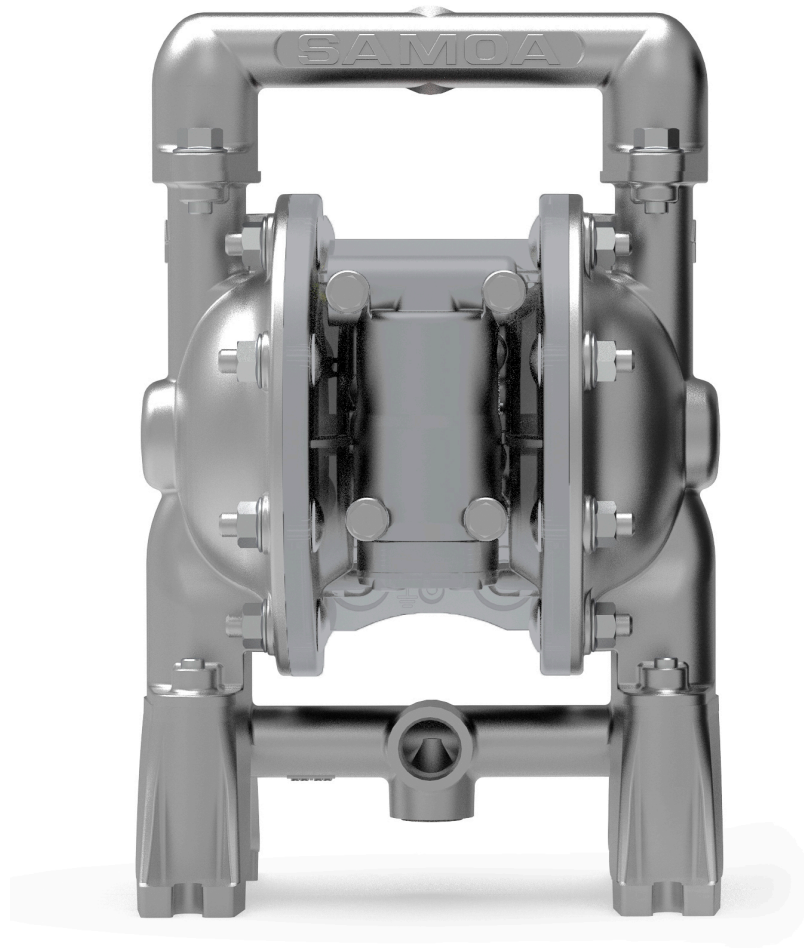


DIAPHRAGM PUMP 1/2" SST-SANTOPRENE- SANTOPRENE ATEX



Part No
UP05A-BSS-SMA

TECHNICAL DATA

DIAPHRAGM PUMP 1/2" SST-SANTOPRENE-SANTOPRENE ATEX

According to following spec

TECHNICAL DATA	
Part No	UP05A-BSS-SMA
Ratio	1:1
Capacity	54 l/min free flow
Air connection	1/4" (F) NPT
Maximum air pressure	0,8 (8) MPa (bar)
Inlet	1/2" (F) BSP
Outlet	1/2" (F) BSP
Seals	PTFE / Teflon®
Max suction height	8 m
Max particle size	2,5 (3/32") mm (inch)
Material pump body	Stainless steel
Material diaphragm	Santoprene®
Material balls	Santoprene®
Material ball valve seats	Stainless steel (AISI 316)
Weight (Gross)	4,6 kg
H.S. Code	84138100