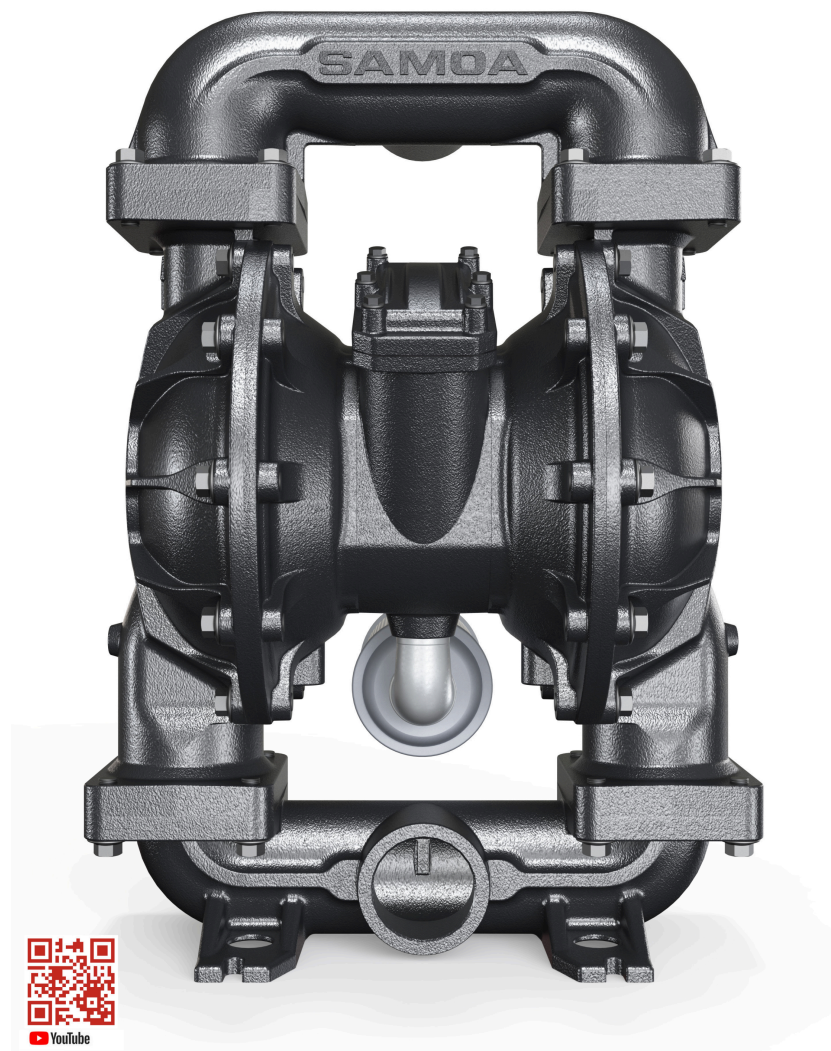




# DIAPHRAGM PUMP 3" ALUMINIUM-PTFE-PTFE ATEX



Part No  
UP30A-BAC-STZ

## TECHNICAL DATA

### DIAPHRAGM PUMP 3" ALUMINIUM-PTFE-PTFE ATEX

According to following spec

TECHNICAL DATA	
Part No	UP30A-BAC-STZ
Ratio	1:1
Capacity	1000 l/min free flow
Air connection	3/4" (F) NPT
Maximum air pressure	0,8 (8) MPa (bar)
Inlet	3" (F) BSP
Outlet	3" (F) BSP
Seals	PTFE / Teflon®
Max suction height	8 m
Max particle size	12,7 (1/2") mm (inch)
Material pump body	Aluminium
Material diaphragm	PTFE / Teflon®
Material balls	PTFE / Teflon®
Material ball valve seats	Stainless steel (AISI 316)
Material push rod	Stainless steel (AISI 316)
Weight (Gross)	64 kg
H.S. Code	84138100