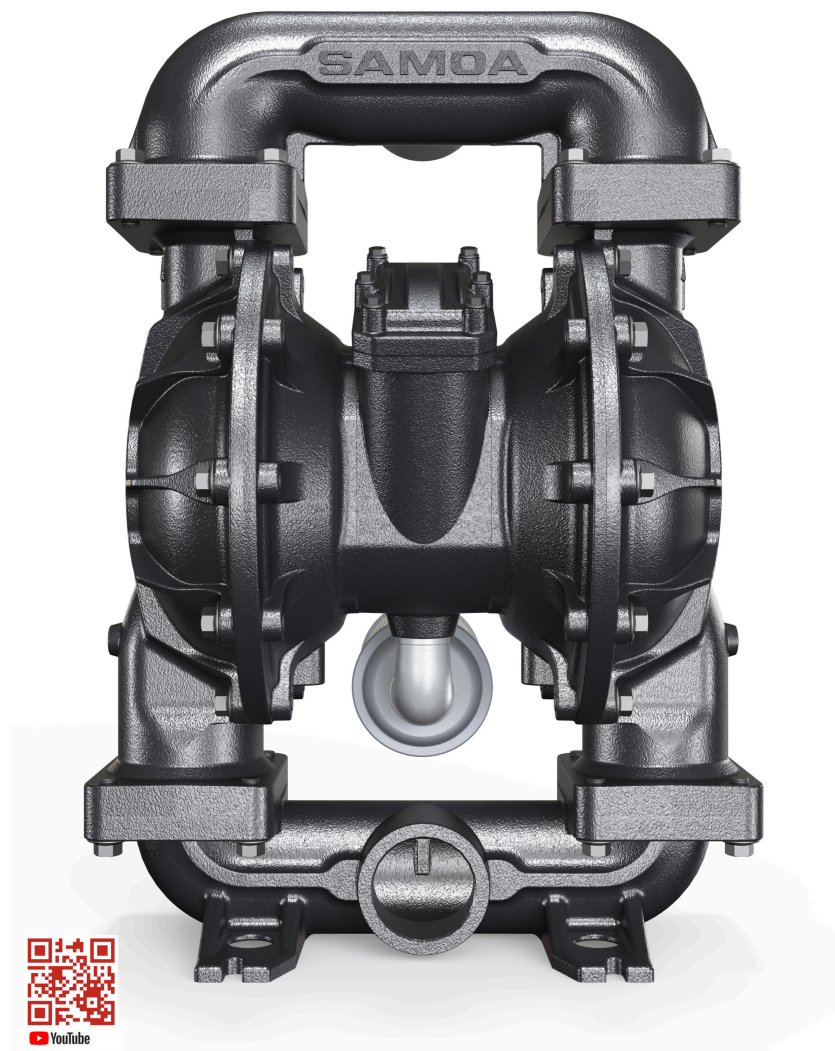




MEMBRANE PUMP 3" ALUMINIUM-BUNA-N-BUNA-N ATEX



Part No
UP30A-BAC-NNG

TECHNICAL DATA

MEMBRANE PUMP 3" ALUMINIUM-BUNA-N-BUNA-N ATEX

According to following spec

TECHNICAL DATA	
Part No	UP30A-BAC-NNG
Ratio	1:1
Capacity	1000 l/min free flow
Air connection	3/4" (F) NPT
Maximum air pressure	0,8 (8) MPa (bar)
Inlet	3" (F) BSP
Outlet	3" (F) BSP
Seals	NBR / Buna-N
Max suction height	8 m
Max particle size	12,7 (1/2") mm (inch)
Material pump body	Aluminium
Material diaphragm	NBR / Buna-N
Material balls	NBR / Buna-N
Material ball valve seats	NBR / Buna-N
Material push rod	Aluminium
Weight (Gross)	64 kg
H.S. Code	84138100